

CABINET INSTALLATION

Hardware for installation not included.

Preparation

UNEVEN FLOORS AND WALLS

Because floors and walls have uneven spots which will affect the installation, it will be necessary to locate these uneven areas. Wall and floor unevenness can cause cabinets to be misaligned resulting in “racking” or misalignment of the doors and drawer fronts. Uneven spots can be found with a straight edge or a 4 ft. level. Simply run the straight edge along the floor and wall to identify any uneven areas. Where these uneven spots interfere, high spots can be removed by scraping or sanding the excess plaster. Low spots can be shimmed.

LOCATE STUDS

Locate the wall studs with a stud finder or tap on the wall to locate a “solid sound”. This generally will tell you where the wall studs are located. You can verify this location by driving a small finishing nail into the wall. Make sure this is an area that will be covered by the base cabinets. Mark a chalk line at the center of the wall studs at the top and bottom of the cabinet position. Normally the wall studs are located 16 in. apart, center to center.

CABINET HEIGHT

To establish the height of your base cabinets, measure up and mark the wall at 33½ in. from the highest spot on the floor. Use this mark as a starting point and draw the lines around the bathroom. Mark the outlines of all cabinets on the wall to check actual cabinet dimensions against your layout (Figure 1).

HARDWARE

Decorative and installation hardware such as nails, screws, glue, wire, tape, etc., are not included.

INSTALLATION TIP

Whenever drilling into a cabinet frame, crown, back panel, wall cleat, etc., it is recommended to pre-drill a pilot hole first to help prevent splitting. Also, using a little wax on the screws will help seat them into the wood.

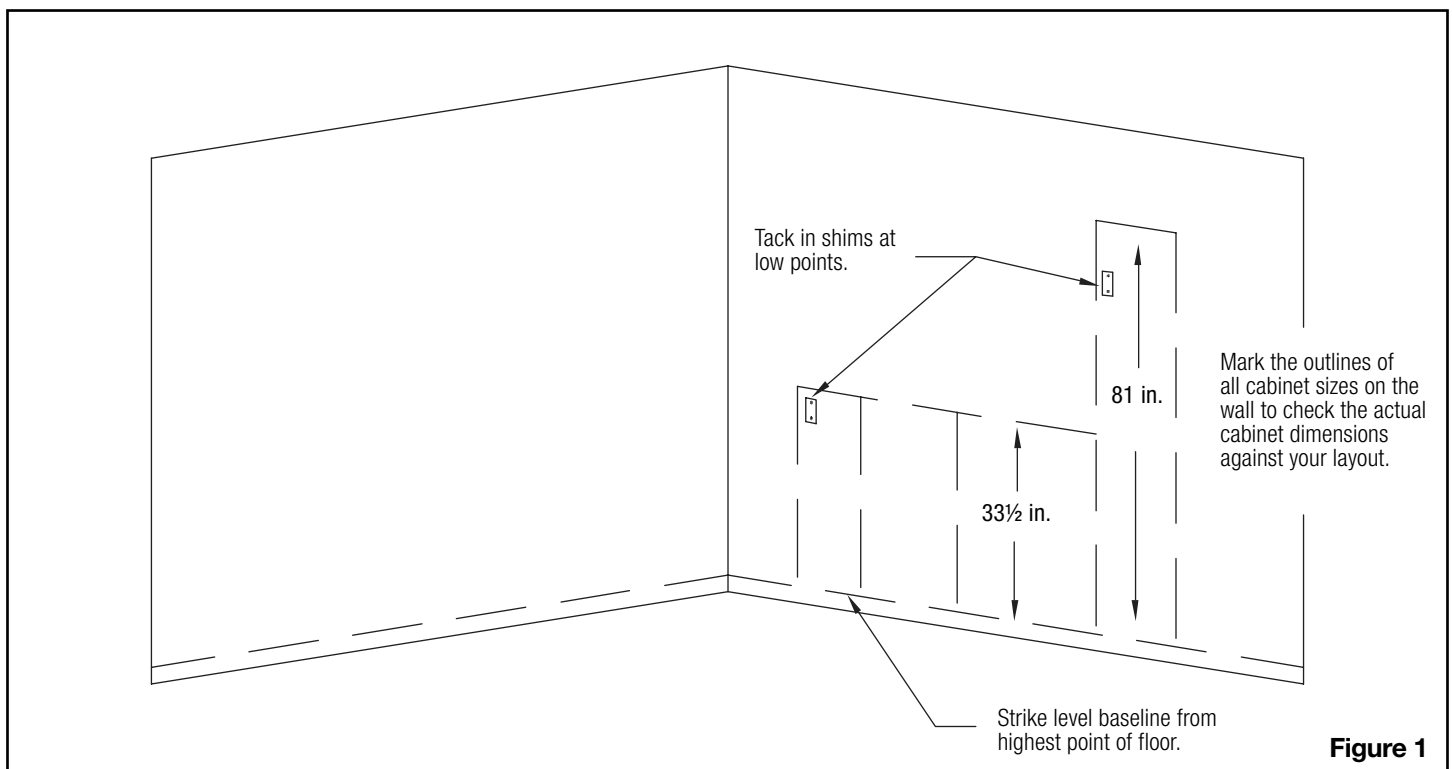


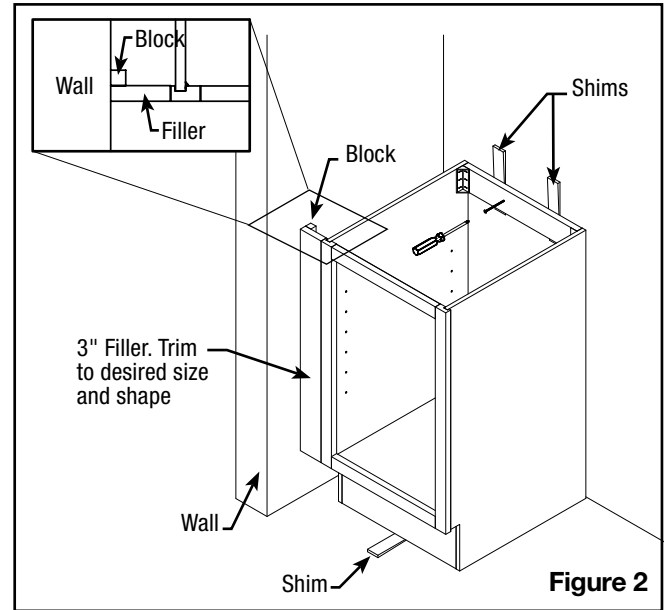
Figure 1

INSTALL BASE CABINETS

Before beginning the cabinet installation, you will need to apply the finished flush-fit end panel(s) to the side(s) of the cabinet(s) that will be exposed to the room. Refer to the instructions provided with the flush fit end panels.

When starting the installation process, it is very important to start your installation from a corner wall and work out. If the wall is not straight, you may need to use a filler and scribe it to the wall's shape (Figure 2). Fillers may also be used to accommodate wall to wall installations where the cabinets do not fit exactly.

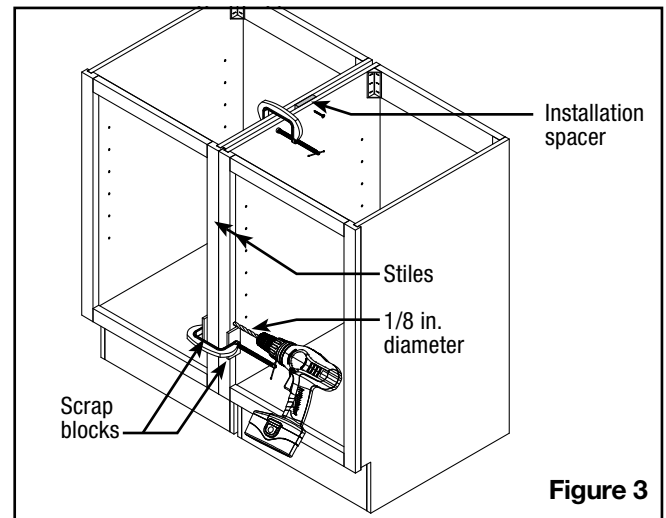
Once you have identified the starting point, take the first cabinet and shim it to the previously established level line. Drill pilot holes at the stud location, through the back rail and into the studs. Then securely fasten the cabinet to the wall, using #8 x 2½ in. screws and appropriate anchors (Do Not Nail). Make sure the cabinet remains square and level after wall attachment.



ATTACH CABINETS TOGETHER

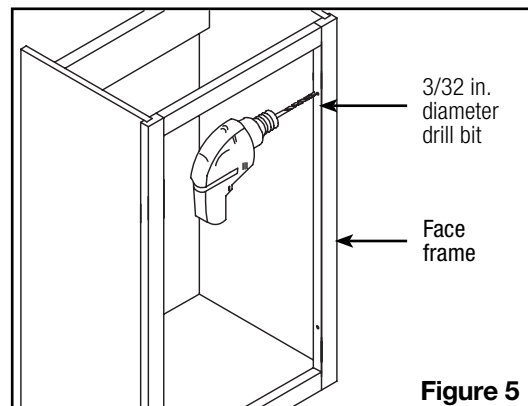
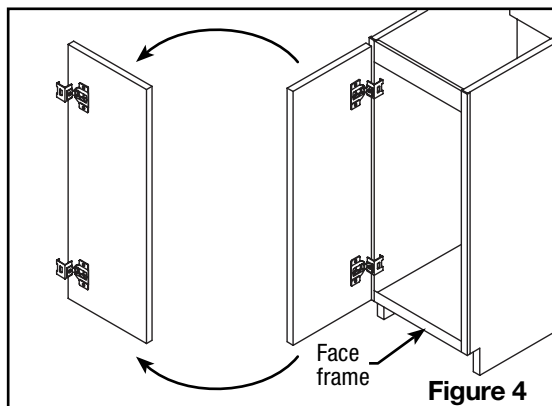
Once you have securely fastened the starting cabinet to the wall, line up the front of the cabinets and use "C" clamps to simply join the next cabinet to it. Place the "C" clamps on the adjoining stiles and carefully clamp the two together. Carefully line up the top and shim the bottom of the cabinets. Now drill a pilot hole using a 1/8 in. drill bit, through the adjoining stiles. Once done, draw the two together, use two #8 x 2 in. wood screws (Figure 3).

Continue installing the remaining base cabinets in the same manner. After joining all of your base cabinets together, verify all cabinets are level and secure each cabinet to the wall.



Changing the Door Swing

Because some installations require a cabinet door to open in the opposite direction, it may be necessary to switch the hinges from one side of the cabinet to the other. You must first remove the door by unscrewing the hinges from the face frame. Then using a 3/32 in. diameter drill bit, drill holes 3/4 in. deep on the other side of the face frame. Rotate the door 180 degrees and screw the hinge onto the opposite side of the face frame (Figures 4 and 5).



Hinge Adjustment

It usually is necessary to adjust your hinges once you have finished the installation of your cabinets (Figure 6). You must do this before installing any decorative hardware.

Soft Close Hinge Damper

To install, position the damper in the upper corner on the hinge side of the face frame, pre-drill pilot hole, and fasten with provided screw. Adjust the damper by twisting the piston left or right to protrude or retract as necessary (Figure 7).

Drawer Adjustment

DRAWER GLIDES

To remove the drawer from the cabinet, extend the drawer to the outer most location. Then reach underneath the drawer to the attaching clips located at the front of the drawer box. Then squeeze the clips pulling toward the sides which will release the glides from the drawer box. The drawer will now be ready to be removed. Lift the drawer away. To reinstall the drawer, make sure glides are pushed in all the way into the cabinet. Set the drawer back in the glide tracks and push the drawer all the way into the cabinet. When the clips attach to the glide you will hear a click. The glides will align automatically when the drawer is pushed back in. NOTE: If more alignment is required, turn the dial on each clip.

Standard Fillers/Decorative Fillers

Decorative Fillers: In contrast to standard fillers, which are trimmed for a proper fit to complete a cabinet run, decorative fillers require a 3 in. spacing between cabinets.

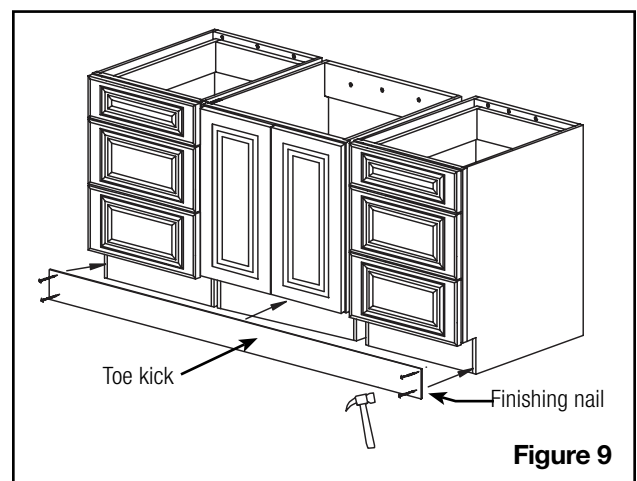
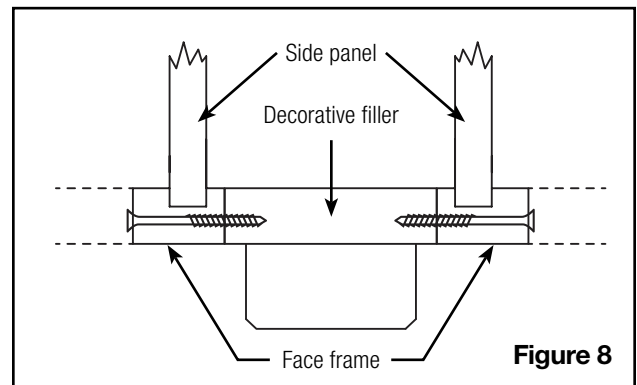
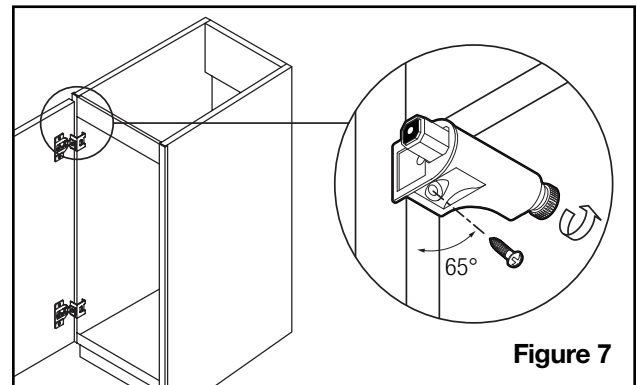
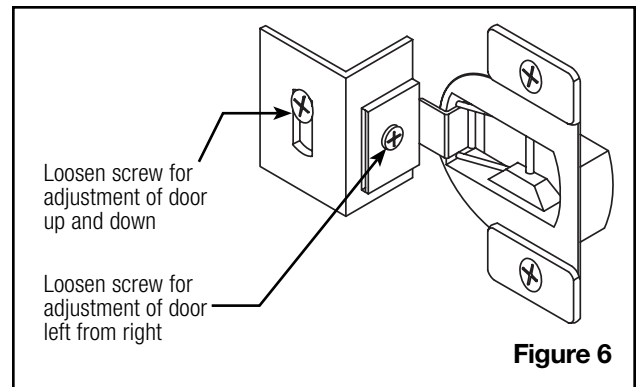
STANDARD CABINET INSTALLATION

- a) Remove doors and drawers.
- b) Using 3/16 in. drill bit, pre-drill holes through face frame, minimum of 2 holes per side.
 - a. If you like, you can remove hinge plate(s) and drill holes so that they will be covered by the hinge plate.
- c) Clamp filler in place. To prevent possible wood splitting, drill pilot hole with 1/8 in. drill bit into filler
- d) Secure filler in place with #8 x 2 1/2 in. countersunk screws.
 - a. Reinstall the hinge plate to cover the countersunk screws.

Toe Kick Installation

Note: Flush-fit end panel(s) should be installed before attaching the toe kick.

The toe kick should be attached once all of your cabinets have been installed and secured to the wall. Cut the toe kick to your exact dimensions. Use small finishing nails to attach the toe kick to your cabinets. It is recommended that a bead of high quality caulking material be used to seal the toe kick to the floor (Figure 9).



Decorative Foot Installation

Before installing decorative foot, you will need to install the standard $\frac{1}{8}$ in. finished toe kick (see Toe Kick Installation).

When installing the decorative foot it will be necessary to remove the doors or drawers from the base cabinets or drawer banks.

- a) When installing a foot under a filler, apply double-sided tape and adhesive to the back side of foot to secure in place.
- b) When installing a foot under a base, in addition to the back side adhesion noted above, use a $\frac{1}{8}$ in. drill bit to pre-drill a hole just behind the face frame.
- c) Using #8 x 2 in. wood screw, secure the foot into place (Figure 10).

Note: If the floor is uneven and the foot doesn't fit under the vanity, stabilize the foot on its top and using a sanding block and 100 grit sand paper, grind down the bottom as needed to fit. Or use a miter saw to cut as needed.

Toe Valance Installation

Before installing toe valance, you will need to install the standard $\frac{1}{8}$ in. finished toe kick (see Toe Kick Installation).

Once the doors and/or drawers are removed, place the clear vinyl spacers (included), under the vanity between the face frame and toe kick. These spacers will help prevent the toe valance from rocking when clamped into position (Figure 11).

If installing valance with feet, it is best to start at one end of the cabinet and work your way across (Figure 12).

- a) Clamp into position.
- b) Using $\frac{1}{8}$ in. drill bit, pre-drill hole just behind the face frame into the toe valance.
- c) Using #8 x $1\frac{1}{4}$ in. wood screw, secure the toe valance into place.
- d) Continue installing the remaining feet and toe valances in the same manner.
- e) Reinstall the doors and drawers.

Hardware Installation

Once all the doors and drawers are adjusted, pre-mark the fronts where hardware is desired.

Drill through your marks from the outside of the door to the inside. A $\frac{1}{8}$ in. drill bit is recommended to allow for final adjustments to exact alignment.

Note: To help prevent "blowout" (rupture of the surface when drilling), clamp a piece of scrap wood to the back of the drawer or door prior to drilling (Figure 13).

Scribe Moulding

Use scribe moulding to put the finishing touch on cabinets that are installed against uneven walls. Using finishing nail, install scribe moulding to cover gaps between the cabinets and uneven floors or walls.

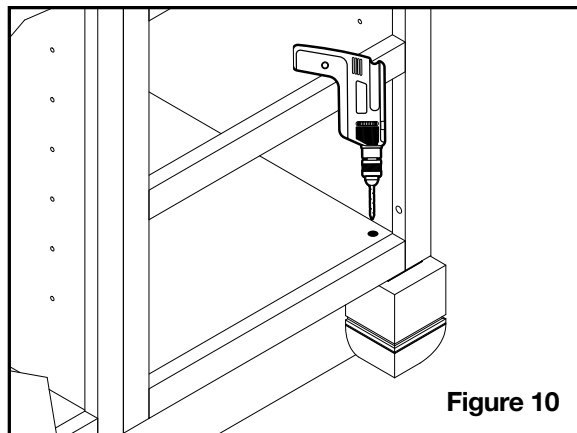


Figure 10

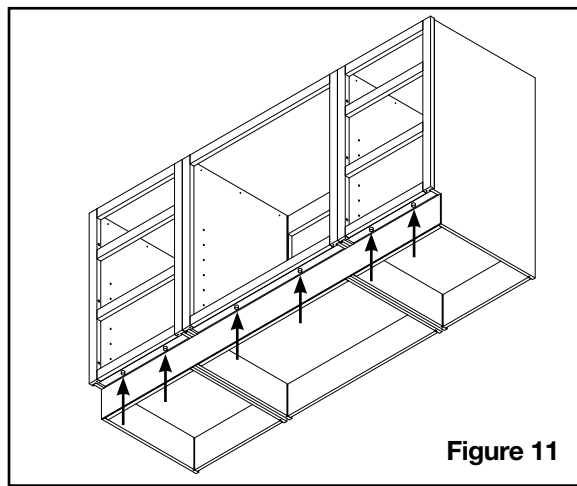


Figure 11

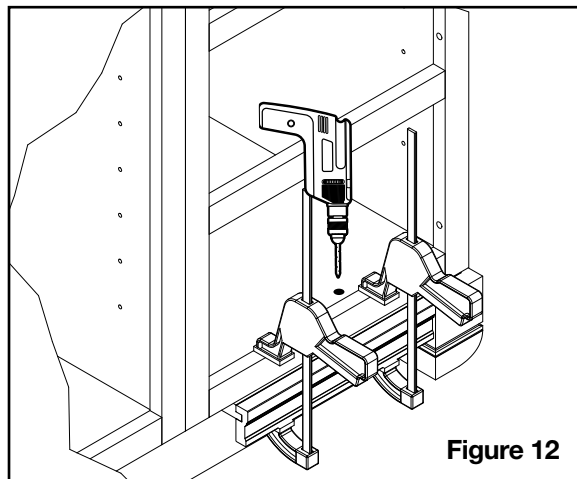


Figure 12

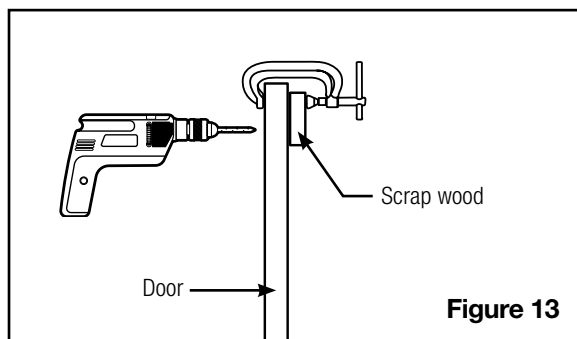


Figure 13

Flush-Fit End Panel

MATERIALS

Finished flush-fit end panel and a roll of double-sided tape (suggested 1 roll per flush-fit end panel) or construction adhesive or white glue (neither are provided).

TOE NOTCH INSTRUCTIONS

Note: If flush-fit end panel is on the left side of cabinet, the toe notch will be on the right edge of the flush-fit end panel. If the flush-fit end panel is for the right side of the cabinet, the toe notch will be on the left edge of the flush-fit end panel.

To cut the toe notch out of the flush-fit end panel:

- Lay the panel up against the cabinet side to be covered and align all four edges with the cabinet.
- Using a pencil, draw a line to mark the location of the toe notch
- Using a power saw, cut along the line.

Apply double-sided tape or adhesive to the backside of the flush-fit end panel. (Figure 14).

If using tape:

- Cut the roll of double sided tape into strips. Cut tape strips to the lengths and quantities listed on the tape template. You will need approximately one roll of tape for each flush-fit end panel.
- Apply the tape to the flush-fit end panel following the tape template diagram. Tape strips applied along the edges of the flush-fit end panel should be 1/4 in. from the edge.
- As you apply each tape strip, run your finger along the strip, applying pressure to make sure the tape makes complete contact with the flush-fit end panel.

Apply flush-fit end panel to cabinet side panel

- Remove the backer from each tape strip.
- Holding the flush-fit end panel at an angle from the cabinet side panel, align the front edge of the flush-fit end panel to the face frame. Make sure the entire edge of the flush-fit end panel is seated inside the face frame groove.
- Align the top of the flush-fit end panel with the top of the cabinet side panel and press the flush-fit end panel against the side panel.
- Working from front to back, apply pressure along the entire surface of the flush-fit end panel to make sure each tape/ adhesive strip makes complete contact with the cabinet side panel.
- Allow the tape/adhesive to cure at least 1 hour before proceeding with the cabinet installation. Clamps or weights can be added to secure panel until adhesive dries. Check adhesive manufacturer's instructions for cure time.

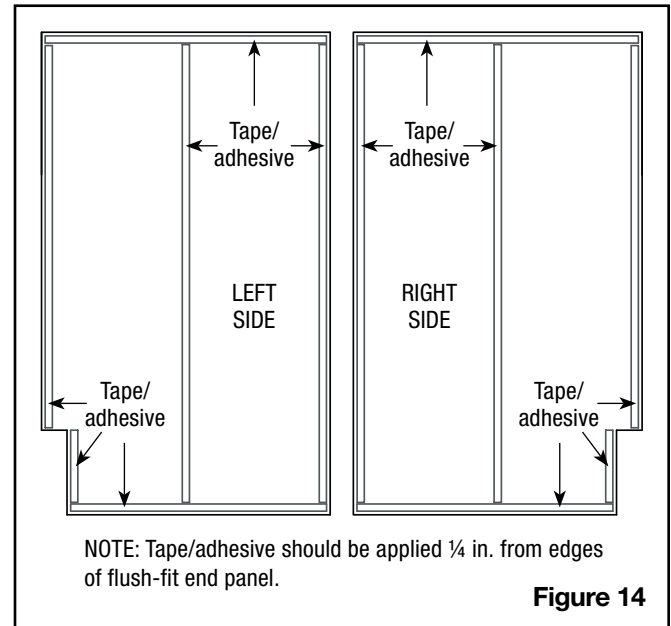


Figure 14

Care and Cleaning

EXTERIOR CARE AND CLEANING

For normal spills, a damp cloth is sufficient. Remember to dry the surface immediately. Lemon oil is recommended for cleaning wood doors. Most furniture care products, not containing wax, petroleum solvents or silicone can be used for polishing. Do not use caustic agents and/or abrasive scrubbers. Nicks and dings can be repaired using the color sticks. Fill in the scratch or nick using the color stick. A Clear Coat spray may be applied if desired.

INTERIOR CARE AND CLEANING

Cabinets can be cleaned with a damp sponge or cloth using soapy water. Do not use any type of abrasive scrubbers. Do not let liquids stay on the surfaces for a long period of time. The surface is water resistant, not waterproof.

MIRRORS

Use a water-dampened cloth to clean the mirror frame. For the mirror, use ammonia-free cleaning products. Avoid using abrasive cleaners.

RSI HOME PRODUCTS, INC. LIMITED WARRANTY

What This Warranty Covers: RSI Home Products, Inc. ("RSI") warrants its parts and products to be free of substantial defects in materials and workmanship from the original date of purchase under normal home use. This warranty is offered only to the original consumer purchaser and may not be transferred.

How Long The Warranty Lasts: Coverage for all vanity cabinets, fixed vanities, drawer banks, bath storage cabinets, linen cabinets, wall hutches, fillers, and toe kicks last for the life of the product. Coverage for medicine cabinets, mirrors, and accessories lasts for 5 years from the original date of purchase.

What RSI Home Products Will Do Under The Warranty: During the warranty period, RSI, at it's option, will repair or replace any part or product that proves to have substantial defects in materials or workmanship, or RSI will provide an equivalent replacement product. In keeping with our policy of continuous product improvement, RSI reserves the right to change specifications in design and materials without notice and with no obligation to retrofit products we previously manufactured.

How State Law Applies: This warranty gives you specific legal rights, and you may also have other rights that vary from state to state.

IMPLIED WARRANTIES: RSI DISCLAIMS ANY IMPLIED WARRANTY OF MERCHANTABILITY, AND THERE ARE NO WARRANTIES THAT EXTEND BEYOND THE DESCRIPTIONS ON THE FACE HEREOF. TO THE EXTENT THAT SUCH DISCLAIMER IS NOT VALID UNDER APPLICABLE LAW, ANY IMPLIED WARRANTY SHALL BE COEXTENSIVE IN DURATION WITH THIS WARRANTY.

Wood, Aging and Printing Limitations: Because of the varying natural characteristics of wood and the effects of aging, product shown in displays and/or printed materials will not be an exact match to new cabinetry you will receive. Depending on the wood characteristics, the age of the sample and the environment of the showroom, samples will show some degree of variation from new product. In addition, you should not expect all doors, drawer fronts, trim or moulding to match exactly in either finish or grain. Variation in wood is normal and unavoidable. In addition, it is not possible to exactly match our colors in printed materials. Therefore, you should view the actual samples when making your color selection.

What This Warranty Does Not Cover: This warranty does not cover any problems or damage which result from improper transportation, improper installation, mishandling, misuse, abuse, neglect, abnormal use, commercial use, improper maintenance, non-RSI repairs, accidents, or acts of God, such as hurricanes, fire, earthquakes or floods. This warranty and any applicable implied warranties do not cover incidental or consequential damages arising from any defects in the product, such as labor charges for installation or removal of the product or any associated products. This warranty does not cover defects or damages caused by normal wear & tear, alterations, environmental conditions, humidity absorption, or mold. In addition, variations in wood grain, finish color, aging or other natural wood and stain characteristics are not considered defects and are not covered by this warranty. Some states do not allow the exclusion or limitation of incidental or consequential damages, so the above limitation or exclusion may not apply to you.

How To Obtain Warranty Services: If you need replacement parts or would like to make warranty claim, please contact our Customer Service Representative by mail, e-mail, fax, or telephone at the address or phone numbers listed on this page. All warranty claims must include the model number of the product, copy of the original receipt and the nature of the problem. In addition, RSI may at its discretion require inspection of the installation site or authorize the prepaid return of the claimed defective part. Merchandise not pre-approved for return will not be accepted and the associated claim not accepted.

If upon inspection you find our product has a damaged or missing part, it may not be necessary to return the unit to the store of purchase. Please contact RSI Customer Service to obtain a replacement part.

Customer Service and Parts Department
Voice: (888) 829-1140 • Fax: (714) 449-2208
Email: masterbathcs@rsihomeproducts.com

Preparación

PISOS Y PAREDES DESNIVELADOS

Debido a que los pisos y las paredes tienen sectores desnivelados que afectan a la instalación, será necesario detectarlos. Los desniveles en paredes y pisos pueden provocar una desalineación y, en consecuencia, el “apilamiento” o la alineación errónea de las puertas y los frentes de las gavetas. Los sectores desparejos se encuentran con un borde recto o un nivel de 4 pies (1,22 m). Simplemente, pase el borde recto por el piso y la pared para identificar las irregularidades. En casos en que estos sectores desiguales sea un obstáculo, las áreas sobresalientes pueden eliminarse mediante el raspado o lijado del exceso de yeso. Los puntos más bajos pueden llenarse con calzas.

UBIQUE LAS VIGAS

Ubique las vigas de la pared con un detector de vigas o golpee la pared hasta identificar un “sonido sólido”. Por lo general, esta acción le indicará dónde están las vigas de la pared. Puede verificar la ubicación si atornilla un clavo para acabado pequeño en la pared. Asegúrese de que esta área sea cubierta por el gabinete base. Marque una línea de tiza en el centro de las vigas de pared en la parte superior e inferior del lugar del gabinete. Casi siempre, las vigas de pared están ubicadas a una distancia de 40,64 cm de centro a centro.

ALTURA DEL GABINETE

Para establecer la altura de los gabinetes base, mida hacia arriba y marque la pared a 85,09 cm del punto más alto del piso. Use esta marca como punto de partida y trace la línea alrededor del baño. Marque el contorno de todos los gabinetes en la pared para verificar las dimensiones reales del gabinete con respecto a su diseño (figura 1).

ADITAMENTOS

No se incluyen aditamentos para decoración ni instalación, como clavos, tornillos, pegamento, cable, cinta de pintor, etc.

CONSEJO DE INSTALACIÓN

Cada vez que realice una perforación en el marco de un gabinete, corona, panel posterior, soporte de pared, etc., se recomienda realizar una perforación previa de un orificio guía para evitar que se resquebraje. Además, si usa un poco de cera en los tornillos, ayudará a colocarlos en la madera.

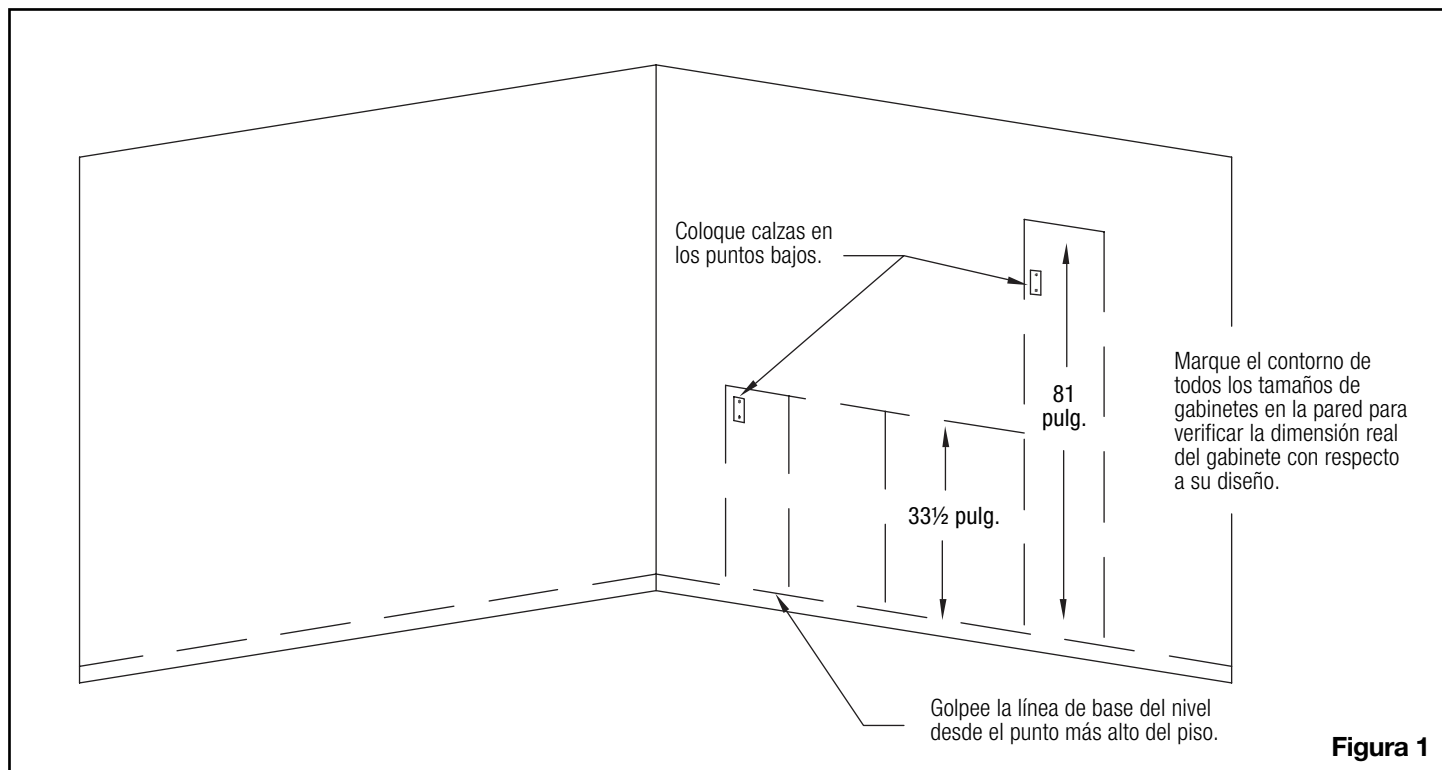


Figura 1

INSTALE LOS GABINETES BASE

Antes de comenzar la instalación del gabinete, deberá aplicar los paneles de extremo de instalación al ras con acabado en los laterales del gabinete que estarán expuestos en la habitación. Remítase a las instrucciones proporcionadas con los paneles de extremo de instalación al ras.

Cuando comience el proceso de instalación, es muy importante que empiece desde un esquinero de pared y que trabaje a partir de esa posición. Si la pared no es recta, tal vez necesite usar un relleno y marcarlo según la forma de la pared (figura 2). Además, los rellenos pueden usarse para amoldar la pared a las instalaciones de pared, en aquellos lugares donde no se adapta en forma perfecta.

Una vez que haya identificado el punto de partida, tome el primer gabinete y cácelo según la línea de nivel establecida previamente. Taladre orificios guía en el lugar de la viga, por medio del riel posterior y en las vigas. Luego, ajuste en forma segura el gabinete a la pared con los tornillos # 8 x 2½ pulg y anclas de expansión adecuadas (no lo clave). Asegúrese de que el gabinete esté en escuadra y a nivel después de fijarlo a la pared.

FIJE LOS GABINETES ENTRE SÍ

Luego de que haya ajustado en forma segura el gabinete inicial a la pared, alinee la parte frontal de los gabinetes y use las abrazaderas "C" para unir simplemente el siguiente gabinete al primero. Coloque las abrazaderas "C" en los montantes de unión y con cuidado, únalos entre sí. Sea minucioso y alinee la parte superior y calce la parte inferior de los gabinetes. Ahora, use una broca para taladro de 1/8 pulg para perforar un orificio guía mediante los montantes de unión. Una vez que haya finalizado este paso, acerque ambas partes y use dos tornillos para madera # 8 x 2 pulg (figura 3). Continúe con la instalación de los gabinetes base restantes de la misma manera. Después de unir todos los gabinetes base entre sí, verifique que todos los gabinetes estén a nivel y fije cada uno a la pared.

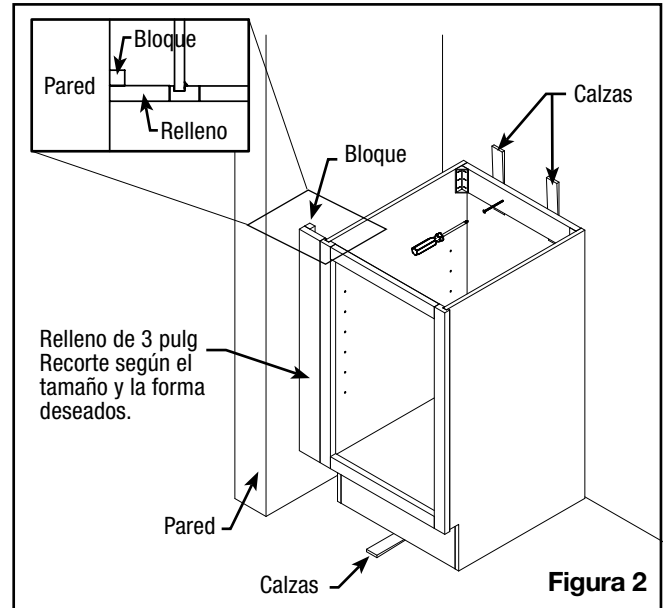


Figura 2

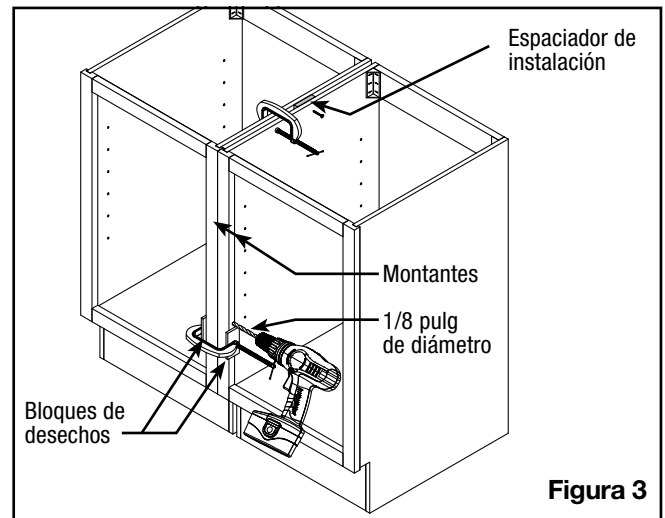


Figura 3

Cambio de abertura de la puerta

Debido a que algunas instalaciones requieren que la puerta del gabinete abra en la dirección contraria, tal vez sea necesario cambiar las bisagras de un lado del gabinete al otro. Primero, retire la puerta desatornillando las bisagras del marco frontal. Luego, use una broca para taladro de 3/32 pulg de diámetro para perforar orificios de 19,05 mm de profundidad en el otro lado del marco frontal. Gire la puerta 180 grados y atornille la bisagra en el lado opuesto del marco frontal (figuras 4 y 5).

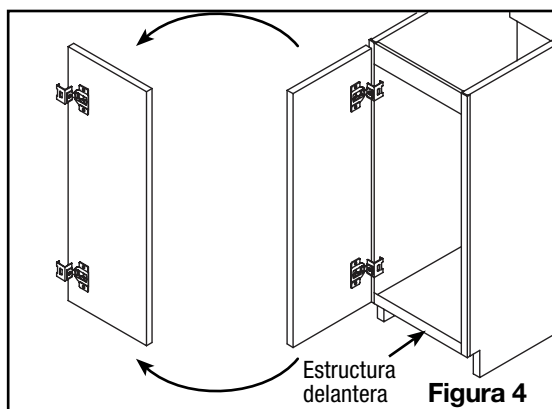


Figura 4

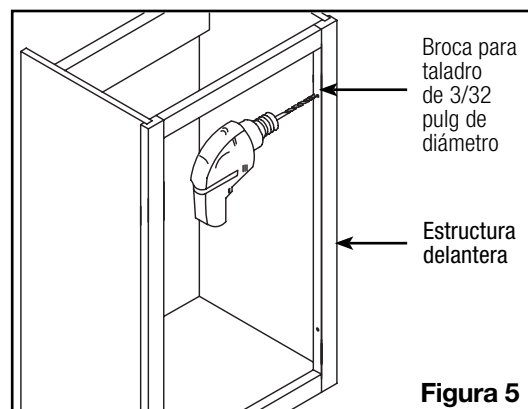


Figura 5

Ajuste de las bisagras

Por lo general, es necesario ajustar las bisagras una vez que finalizó la instalación de los gabinetes (figura 6). Debe completar este paso antes de instalar cualquier aditamento de decoración.

Regulador de tiro de bisagras de cierre suave

Para instalar, ubique el regulador de tiro en el extremo superior del lado de la bisagra en el marco frontal; taladre previamente un orificio guía y fije con el tornillo que se proporciona. Ajuste el regulador de tiro haciendo girar el pistón hacia la izquierda o derecha para que sobresalga o se retraiga según sea necesario (figura 7).

Ajuste de gavetas

GUÍAS DE GAVETA

Para retirar la gaveta del gabinete, extiéndalo hasta la posición más extrema. Luego, acceda al lugar que está debajo de la gaveta, a los sujetadores de fijación que están en la parte frontal de la caja de la gaveta. A continuación, apriete los sujetadores tirando hacia los lados; esta acción liberará los deslizadores de la caja de la gaveta. Ahora, la gaveta estará lista para poder retirarse. Levante y aleje la gaveta. Para volver a instalarla, asegúrese de que los deslizadores estén presionados completamente hacia dentro del gabinete. Vuelva a colocar en los rieles del deslizador y empuje el cuerpo de la gaveta en forma uniforme hacia el gabinete. Cuando los sujetadores se unan al deslizador, escuchará un “clic”. Los deslizadores se alinearán en forma automática cuando se vuelva a empujar la gaveta. NOTA: Si se requiere más alineación, dé vuelta al dial en cada clip

Rellenos estándar y decorativos

Rellenos decorativos: En contraposición a los rellenos estándar, que se recortan para que la adaptación sea adecuada y se pueda completar el lugar del gabinete, los rellenos decorativos necesitan un espacio de 7,62 cm entre los gabinetes.

INSTALACIÓN DE UN GABINETE ESTÁNDAR

- Retire las puertas y las gavetas.
- Use una broca para taladro de 3/16 pulg y perfore previamente 2 orificios por lado como mínimo mediante el marco frontal.
 - Si lo desea, puede retirar las placas de las bisagras y perforar los orificios para que luego sean cubiertos por las placas de las bisagras.
- Fije el relleno en el lugar con una abrazadera. Para evitar posibles resquebrajamiento de la madera, perfore un orificio guía con una broca para taladro de 1/8 pulg en el relleno.
- Fije el relleno en el lugar con tornillos avellanados # 8 x 2½ pulg.
 - Vuelva a instalar la placa de la bisagra para cubrir los tornillos avellanados.

Instalación de rodapié

Nota: Los paneles de extremo de instalación al ras deben instalarse antes de fijar el rodapié.

El rodapié debe instalarse una vez que todos los gabinetes se hayan instalados y fijado a la pared. Corte el rodapié según las dimensiones exactas. Use clavos de acabado pequeños para instalar el rodapié a los gabinetes. Se recomienda el uso de un cordón de masilla de calafateo de alta calidad para sellar el rodapié al piso (figura 9).

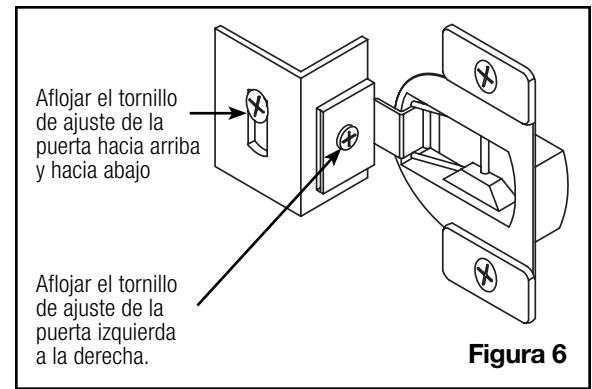


Figura 6

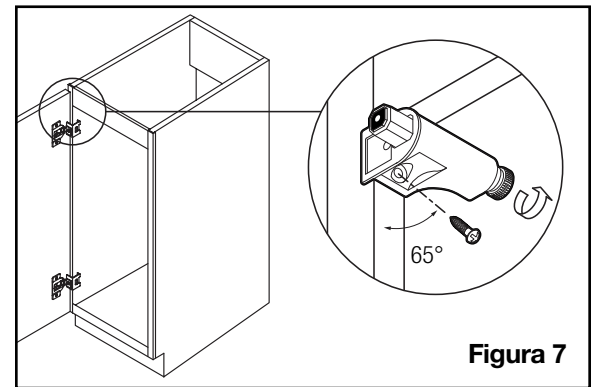


Figura 7

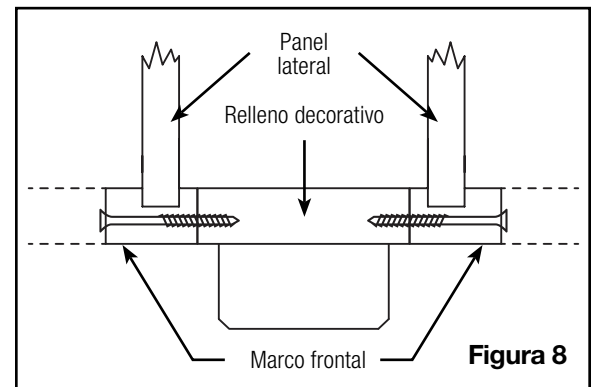


Figura 8

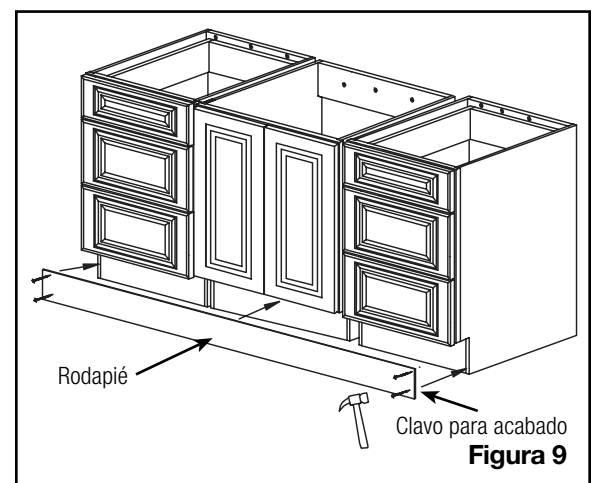


Figura 9

Instalación de pie decorativo

Antes de instalar el pie decorativo, deberá instalar el rodapié de acabado estándar de 3,17 mm (consulte Instalación de rodapié).

Cuando instale el pie decorativo, será necesario retirar las puertas y las gavetas desde los gabinetes base o gavateros.

- Cuando instale un pie debajo del relleno, aplique cinta doble faz y adhesivo a la parte posterior del pie para fijarlo en el lugar.
- Cuando instale un pie debajo de una base, además de la adherencia en la parte posterior que se indica anteriormente, use una broca para taladro de 1/8 pulg para perforar previamente un orificio justo detrás del marco frontal.
- Use tornillos para madera #8 x 2 pulg y fije el pie en el lugar (figura 10).

Nota: Si el piso está desnivelado y el pie no se adapta debajo del tocador, establezca el pie en su parte superior y use un bloque para lijado y un papel de lija de grano 100 a fin de lijar la parte inferior según sea necesario para adaptar. De lo contrario, use una sierra ingletadora para cortar lo que necesite.

Instalación de la cenefa inferior

Antes de instalar la cenefa inferior, deberá instalar el rodapié de acabado estándar de 3,17 mm (consulte Instalación de rodapié).

Una vez que se retiren las puertas y gavetas, coloque los espaciadores de vinilo transparente (se incluyen), debajo del tocador entre el marco frontal y el rodapié. Estos espaciadores evitarán que la cenefa inferior se balancee cuando se sujete en el lugar (figura 11).

Si se instala la cenefa con patas, es mejor comenzar en un extremo del gabinete y continuar con el trabajo en forma transversal (figura 12).

- Fíjela en su lugar con una abrazadera.
- Use una broca para taladro de 1/8 pulg y perforo previamente un orificio justo detrás del marco frontal en la cenefa inferior.
- Use tornillos para madera # 8 x 1¼ pulg y fije la cenefa inferior en el lugar.
- Continúe con la instalación del resto de las cenefas de pie y patas de la misma manera.
- Vuelva a instalar las puertas y las gavetas.

Instalación de los aditamentos

Luego de que se hayan instalado todas las puertas y las gavetas, marque previamente la parte frontal donde desea colocar los aditamentos.

Perfore en las marcas, desde la parte externa de la puerta hacia el interior. Se recomienda usar una broca para taladro de 1/8 pulg a fin de hacer posible los ajustes finales y lograr un alineado exacto.

Nota: Para prevenir un “reventón” (rotura de la superficie cuando taladre), fije un trozo de madera con una abrazadera a la parte posterior de la gaveta o puerta antes de perforar (figura 13).

Moldura tallada

Use la moldura tallada para dar un toque de acabado a los gabinetes que están instalados en contra de paredes desniveladas. Use clavos para acabado, instale la moldura tallada para cubrir los espacios vacíos entre los gabinetes y los pisos o las paredes desparejas.

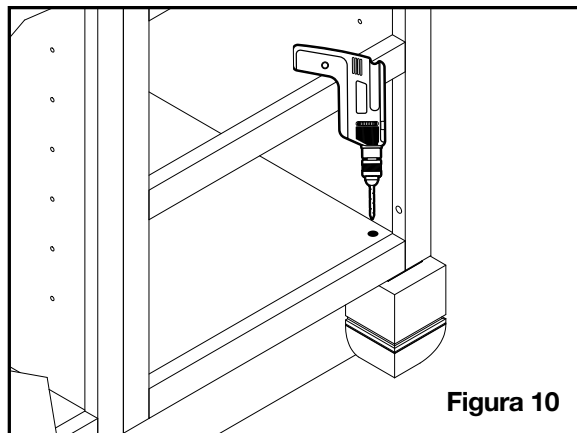


Figura 10

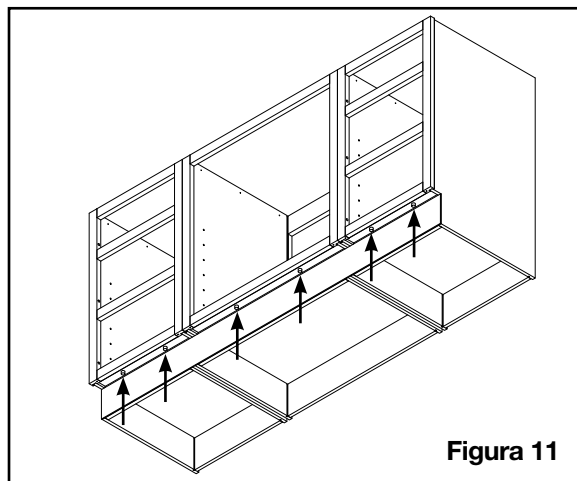


Figura 11

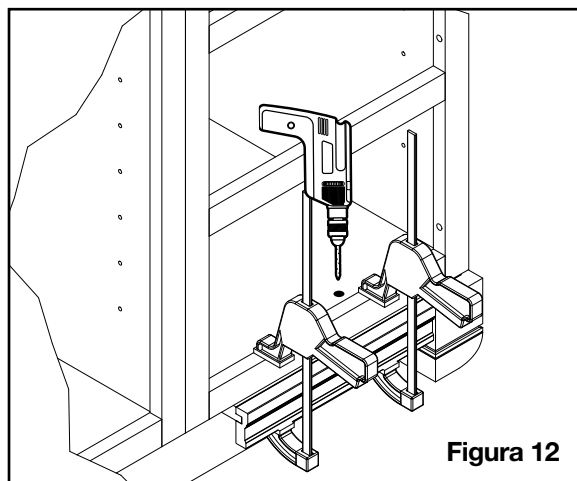


Figura 12

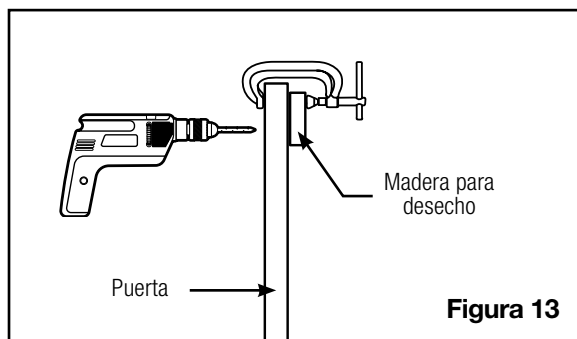


Figura 13

Panel de extremo de instalación al ras

MATERIALES

Panel de extremo de instalación al ras con acabado y un rollo de cinta doble faz (se sugiere 1 rollo por panel de extremo de instalación al ras) o adhesivo de fabricación o pegamento blanco (no se proporciona ninguno de estos productos).

INSTRUCCIONES PARA MUESCA INFERIOR

Nota: Si el panel de extremo de instalación al ras está en el lado izquierdo del gabinete, la muesca inferior estará en el borde derecho del panel de extremo de instalación al ras. Si el panel de extremo de instalación al ras está en el lado derecho del gabinete, la muesca inferior estará en el borde izquierdo del panel de extremo de instalación al ras.

Para cortar la muesca inferior del panel de extremo de instalación al ras:

- Coloque el panel contra el lado del gabinete que se cubrirá y alinee los cuatro bordes con el gabinete.
- Use un lápiz y dibuje una línea para marcar la ubicación de la muesca inferior.
- Use una sierra eléctrica y corte a lo largo de la línea.

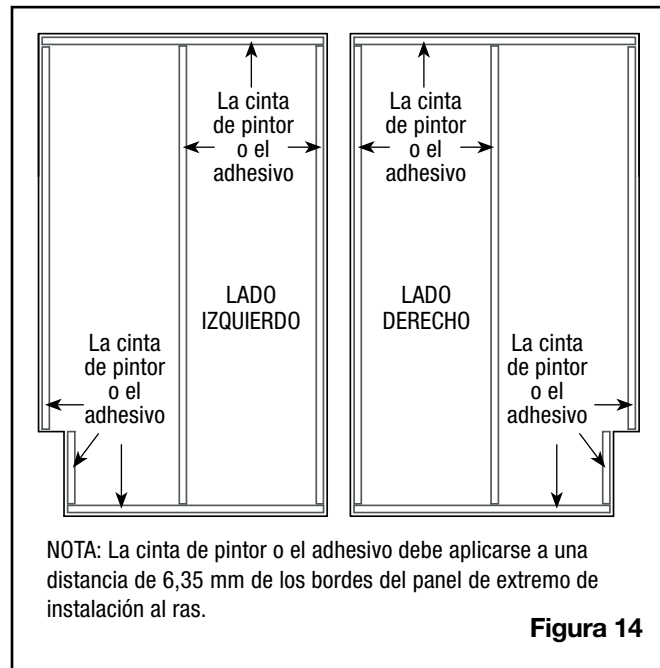
Aplique cinta doble faz o adhesivo en la parte posterior del panel de extremo de instalación al ras (figura 14).

Si usa cinta:

- Corte el rollo de cinta doble faz en tiras. Corte las tiras de cinta según la longitud y las cantidades que se indican en la plantilla de cinta. Aproximadamente, necesitará un rollo de cinta para cada panel de extremo de instalación al ras.
- Aplique la cinta al panel de extremo de instalación al ras según el diagrama de plantilla de cinta. Las tiras de cinta deben aplicarse a 6,35 mm del borde del panel de extremo de instalación al ras.
- A medida que aplique cada tira de cinta, pase el dedo a lo largo de la cinta y ejerza presión para asegurarse de que la cinta está en contacto total con el panel de extremo de instalación al ras.

Aplique el panel de extremo de instalación al ras al panel lateral del gabinete.

- Retire el respaldo de cada tira de cinta adhesiva.
- Sujete el panel de extremo de instalación al ras del panel lateral del gabinete y alinee el borde delantero del panel de extremo de instalación al ras en la estructura frontal. Asegúrese de que todo el marco del panel de extremo de instalación al ras esté encajado dentro de la ranura del marco frontal.
- Alinee la parte superior del panel de extremo de instalación al ras con la parte superior del panel lateral del gabinete y presione el panel de extremo de instalación al ras contra el panel lateral.
- Trabaje desde la parte frontal hacia la parte posterior y ejerza presión en toda la superficie del panel de extremo de instalación al ras para asegurarse de que las tiras adhesivas o de cinta estén en contacto total con el panel lateral del gabinete.
- Permita que la cinta de pintor o el adhesivo cure al menos 1 hora antes de continuar con la instalación del gabinete. Pueden agregarse abrazaderas o pesos para fijar el panel hasta que se seque el adhesivo. Consulte las instrucciones del fabricante del adhesivo para conocer el tiempo de cura.



Cuidado y limpieza

CUIDADO Y LIMPIEZA DEL EXTERIOR

En caso de derrames habituales, es suficiente con un paño húmedo. Recuerde secar la superficie de inmediato. Se recomienda usar aceite de limón para la limpieza de puertas de madera. La mayoría de los productos para el cuidado de muebles, que no contengan vera, solventes de petróleo ni silicona, pueden usarse para pulir. No use productos cáusticos ni limpiadores abrasivos. Las rayas y los daños se pueden reparar con los palillos de color. Llène la raya o el daño con el palillo de color. Si lo desea, puede aplicar un revestimiento transparente en aerosol.

CUIDADO Y LIMPIEZA DEL INTERIOR

Los gabinetes pueden limpiarse con una esponja o paño húmedo y agua jabonosa. No utilice ningún tipo de limpiadores abrasivos. No deje que líquidos permanezcan sobre la superficie durante mucho tiempo. La superficie es resistente al agua, pero no es impermeable.

ESPEJOS

Use un paño humedecido con agua para limpiar el marco del espejo. Para el espejo, use productos de limpieza sin amoníaco. Evite usar limpiadores abrasivos.

GARANTÍA LIMITADA DE RSI HOME PRODUCTS, INC.

Lo que cubre esta garantía: RSI Home Products, Inc. ("RSI") garantiza que ninguna de sus piezas ni productos presentará defectos importantes de fabricación en el material ni la mano de obra con el uso doméstico normal desde la fecha de compra original. Esta garantía se ofrece únicamente al comprador/cliente original y es posible que no sea transferible.

Cuánto tiempo durará la garantía: La cobertura de todos los gabinetes de tocador, gabinetes fijos, gaveteros, gabinetes para almacenaje de baño, gabinetes de lencería, estantes altos para pared, rellenos y rodapiés dura la vida útil del producto. La cobertura de los botiquines, espejos y accesorios dura 5 años a partir de la fecha de compra original.

Lo que hará RSI Home Products en garantía: Durante el periodo de garantía, RSI, a su discreción, reparará o reemplazará cualquier pieza o producto que se compruebe que tiene defectos importantes en el material o la mano de obra, o RSI brindará un producto de reemplazo equivalente. RSI, quien respeta la política de mejora continua para sus productos, se reserva el derecho de cambiar las especificaciones en el diseño y en los materiales sin previo aviso y sin obligación de renovar productos fabricados previamente.

Cómo se aplica la ley estatal: Esta garantía le otorga derechos legales específicos, pero podría tener también otros derechos que varían según el estado.

GARANTÍAS IMPLÍCITAS: RSI RECHAZA CUALQUIER GARANTÍA IMPLÍCITA DE COMERCIABILIDAD, Y NO EXISTEN GARANTÍAS QUE SE EXTIENDAN MÁS ALLÁ DE LAS DESCRIPCIONES EN EL PRESENTE DOCUMENTO. EN LA MEDIDA EN QUE DICHA EXENCIÓN NO SEA VÁLIDA BAJO LA LEY VIGENTE, TODA GARANTÍA IMPLÍCITA TENDRÁ LA MISMA VIGENCIA QUE ESTA GARANTÍA.

Limitaciones de la impresión y envejecimiento de la madera: Debido a las diversas características naturales de la madera y a los efectos del envejecimiento, el producto que se muestra en exhibición o en materiales impresos no corresponderá exactamente al gabinete nuevo que usted recibirá. Según las características de la madera, la edad de la muestra y el ambiente del área de exposición, las muestras mostrarán algunas diferencias con respecto al producto nuevo. Además, no espere que todas las puertas, partes frontales de gavetas, rebordes o molduras correspondan exactamente ya sea en el acabado o la veta. La variación en la madera es normal e inevitable. Además,

no es posible hacer corresponder exactamente nuestros colores en los materiales impresos. Por lo tanto, usted debe ver las muestras reales al momento de seleccionar el color.

Lo que esta garantía no cubre: Esta garantía no cubre ningún problema ni daño ocasionado por la manipulación incorrecta, uso indebido, maltrato, negligencia, uso irregular, uso comercial, mantenimiento inadecuado, reparaciones que no sea de RSI, accidentes o desastres naturales, como huracanes, incendios, terremotos o inundaciones. Esta garantía y toda garantía implícita aplicable no cubren daños accidentales o resultantes que surjan debido a defectos en el producto, como cargos de mano de obra por la instalación o el retiro del producto o de los productos asociados. La garantía no cubre defectos o daños causados por el uso y el desgaste normales, las modificaciones, las condiciones ambientales, la absorción de la humedad o el moho. Además, las variaciones en la veta de la madera, el color del acabado, el envejecimiento u otras características naturales del teñido y de la madera no se consideran defectos y no se encuentran cubiertos por esta garantía. Algunos estados no permiten la exclusión ni la limitación de los daños accidentales o resultantes, de modo que la exclusión o limitación anterior puede no aplicarse en su caso.

Cómo obtener el servicio de garantía: Si necesita piezas de repuesto o desearía realizar un reclamo de garantía, comuníquese con nuestro representante de Servicio al Cliente mediante correo electrónico, fax o teléfono a la dirección o los números telefónicos que se indican en esta página. Todos los reclamos de garantía deben incluir el número de modelo del producto, una copia del recibo original y la descripción del problema. Además, RSI puede, a su discreción, solicitar una inspección del lugar de la instalación o autorizar la devolución prepagada de la pieza defectuosa por la que se reclama. La mercancía que no cuente con la aprobación para la devolución no se aceptará y el reclamo asociado no se aceptará.

Si después de la inspección, usted descubre que nuestro producto tiene una pieza dañada o le falta una pieza, es posible que no sea necesario devolver la unidad a la tienda donde se hizo la compra. Póngase en contacto con el Servicio al Cliente de RSI para obtener una pieza de repuesto.

Departamento de Servicio al Cliente y Piezas de Repuesto
Voz: (888) 829-1140 • Fax: (714) 449-2208
Correo electrónico: masterbathcs@rsihomeproducts.com